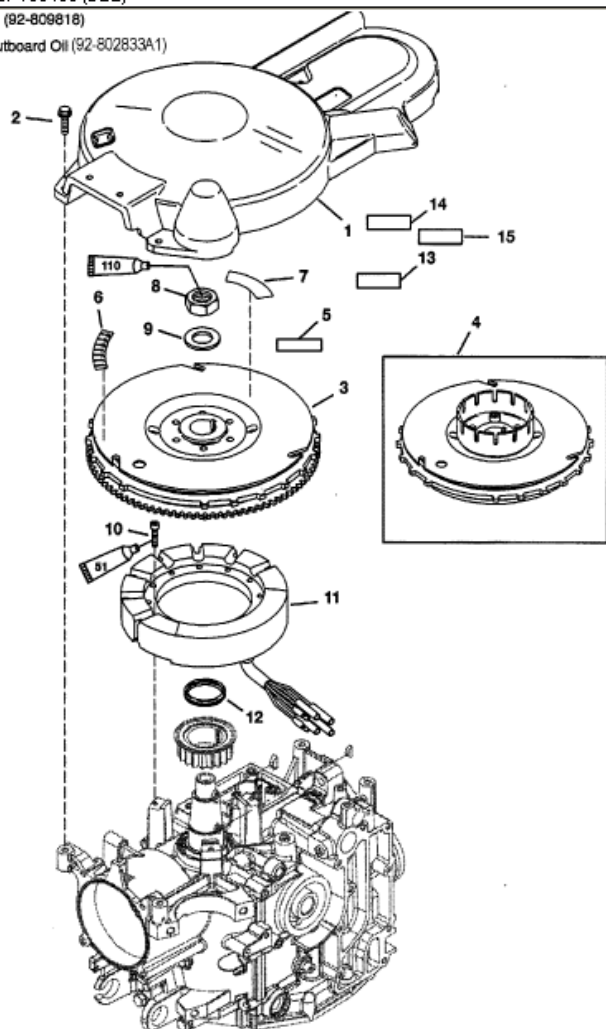


51 Loctite 222 (92-809818)

110 4-stroke Outboard Oil (92-802833A1)



Parts List

Ref	Class	Part	Description	Qty	Comment	Footnote
1		855223	1 FLYWHEEL COVER	1	(ELECTRIC)	
2	10	824832	6 SCREW (M6 X 25)	4	(ELECTRIC)	
3	284	832010T14	1 FLYWHEEL	1	(ELECTRIC)	
4	284	832010T16	1 FLYWHEEL	1	(MANUAL)	
5		NSS	1 DECAL-WARNING SPINNING FLY	1		
6		NSS	1 DECAL-TIMING MARKS	1		
7		NSS	1 DECAL-WARNING-NEUTRAL	1		
8	11	81773M	1 NUT	1		
9	12	84436M	1 WASHER	1		
10	10	40073 25	3 SCREW	3	(MANUAL)	
11	398	852386A	4 STATOR	1	(S/N-0G960499 & BELOW)(MANL	
11	398	852386T	6 STATOR	1	(S/N-0G960500 & UP)(MANUAL)	
10	10	40139 30	3 SCREW	3	(ELECTRIC)	
11	398	852387A	4 STATOR	1	(S/N-0G960499 & BELOW)(ELEC	
11	398	852387T	7 STATOR	1	(S/-0G960500 & UP)(ELECTRIC)	
12		834838	1 LOAD RING	1		
13		NSS	1 DECAL BODENSEE CERTIFICATI	1		
14	37	856985A21	1 DECAL-EPA INFORMATION	1	(1999) (SEE NOTE)	
14	37	804653A00	1 DECAL-EPA INFORMATION	1	(2000) (SEE NOTE)	
14	37	804653A01	1 DECAL-EPA INFORMATION	1	(2001) (SEE NOTE)	
15		NSS	1 DECAL-OVERLAMINATE	1		